

Official Bulletin



MHz to GHz

The West Australian VHF Group Bulletin

NOVEMBER 2011

THE WEST AUSTRALIAN VHF GROUP (INC)
PO BOX 189 APPLECROSS 6953

e-mail for editor to: secretary@wavhfgroup.org.au

President Robert VK6KW

Secretary. Terry VK6ZLT

Vice- President Heath VK6TWO

Treasurer Graeme VK6LV

Activities Terry VK6ZLT

Publicity Terry VK6ZLT

Museum Rep. Tom VK6ZAF

Bulletin Editor Terry VK6ZLT

Councillor Steve VK6ST

Councillor Ray VK6ZRW

Councillor Ben VK6IC

Trustee # 1 Wally VK6KZ

Trustee # 2 Don VK6HK

1. Comments from the editor.
2. Miniature gps
3. Check the website of VK4ADC
4. Digital Delights
5. .Spring Scramble
6. Stop Press

EDITORS INPUT Hi there all.

The November issue rolls on. This production is essentially all my own work as I have received little or no assistance from any body as to the content of the magazine. The magazine is really in need of new fresh input of material. The magazine is the ideal platform to ask radio questions as well as “show and tell” areas of ideas and equipment. Does the above look familiar well it should its lifted from the August issue. **NOTHING has changed.**

I recently signed up to receive the “**CQ Radio Amateur Magazine**” as an on line electronic magazine. After down loading the viewing software I duly loaded the November issue of CQ and hey presto one can read two pages at a time or zoom in as required. An immediate benefit is that the websites are available just by clicking on the advertised address shown in the magazine. I am still waiting for” **CQ-VHF**” magazine but I’ve only just ordered it so I have to be patient.

Some interesting articles are as follows.

1. Software Radio Technology on ARISSAT P44-P49. Complete with all the operating frequencies.
2. (Advertisement) A DDS kit using the Analog Devices AD9951.
WWW.WA1FF1.com

Any way we will await the outcome and keep you informed and up to date where possible.

Terry VK6ZLT

Complete GPS receiver module for under \$3

SiRFstarIII based GPS RADIONOVA provides complete GPS system solution for embedded GPS applications



Antenova Ltd, an integrated antenna and RF solutions company, announced a special sub-\$3 price offering of its GPS RADIONOVA SS3 Receiver Module – a complete GPS receiver including SiRFstarIII GPS IC and all front end RF components in a very small low profile single package module.

The SS3 GPS Receiver Module is a complete drop in solution for a wide range of embedded applications including 'GPS mouse' (USB dongles), personal trackers,

automatic vehicle locators (AVLs), vehicle black boxes, data loggers, media tablets and portable media players (PMPs).

The GPS RADIONOVA SS3 is a very small 18.4x9x2.3 mm³ single package GPS receiver module suitable for SMT mounting. It operates on a single 3.6V positive bias supply with low power consumption and low power modes are available for further power savings. SS3 is supported by SiRF's GPS software suite and uses a UART/SPI host processor interface.

The special offer SS3 GPS Receiver Modules are available directly from Antenova.

More info <http://www.antenova.com/?id=921>

Although the above is aimed at industrial uses, to give you some idea how the miniature gps is becoming available right here in West Australia pop into a well known stationary supplier where a \$90 personal gps with LCD display with easily programmed way points enabling no one to never get lost again. Size approx 5cm square x 1cm, very neat eh!

Check out the following microwave website by VK4ADC

<http://www.vk4adc.com/web/index.php>

Take particular note of the antennas "**vhf/uhf projects**" in the menu on right hand side. Next, "**microwave projects**" contains some more interesting items such as a 4GHz pre-scalar, Microwave RF Power Meter 100MHz to 12GHz , A very nifty microwave RF Bridge complete with pcb layout etc..

Digital Delights

The following indexes are websites that will enable the reader to become more familiar with some of the digital modes of operation in radio for the amateur radio enthusiast. As you can see this was the centre of the Club activity night in October. A number of ideas and advice were bantered around especially details of how some USB/Serial interface cables don't work as the "**clear to send**" is permanently switched on & the not able to be switched as required for some interfaces. Another point was made as to the setting up of the sound channels in **Windows 7** is that some sound cards have **software switchable input attenuators**.

Amateur Radio Computer Interfacing Meeting 24 October 2011

Digital Modes Information <http://wb8nut.com/digital/>

HAM RADIO DELUXE <http://www.ham-radio-deluxe.com/>

Introducing Echolink

<http://www.echolink.org/>

Echolink Controller with DTMF Decoder

<http://www.dl5mgd.de/echolink/echolink.htm>

The KE0VH DIGITAL INTERFACE PROJECT

<http://www.hamuniverse.com/ke0vhproject.html>

DIGITAL COMMUNICATION

<http://digital.hamradioindia.com/>

Welcome to the Victoria Communications Club

<http://www.microsec.net/vcc.html>

Amateur Radio Digital Communications Interface

<http://www.qsl.net/hamscope/>

FT-450 PSK31 Donner's Digital Interface by K2FR

<http://www.youtube.com/watch?v=34dy21z2l8Y>

The USBlink - a home-brew digital modes interface <http://www.g4ilo.com/usblink.html>

The Truth About Sound Card Interfaces For Amateur Radio HF Digital Modes

http://www.w0btu.com/digital_modes.html

Understanding

Soundcard Interfacing

<http://www.gsl.net/wm2u/interface.html>

Soundcard Interfacing

http://www.southgatearc.org/news/september2007/psk31_soundcard_interface.htm

SPRING SCRAMBLE RESULTS Many thanks must go to Rob VK6LD for his efforts in arranging the spring scramble. Here is a reprint of his email.

Hello All,

I have collated the log sheets received for the WA VHF Group Spring Scramble held on 16 October 2011.

Number of Logs Received: 9 Number of Active Stations: 20

Callsign	Points
VK6AXB	40
VK6ZWZ	36
VK6ADI	36
VK6LV	23
VK6FRSK	19
VK6ZSB	19
VK6ZLT	10
VK6TGQ	8
VK6CG	1



Special mention for efforts go to: Ron VK6VOX who went portable on 6M, 2M & 70CM, driving from his QTH in Katanning



to a hilltop outside of Wagin. The photos show the amount of time & planning put in by Ron. Unfortunately the only station he was only able to copy was the Perth 2M beacon. Well done Ron!



Brian VK6TGQ went portable in the hills near Bunbury. Brian mentioned this was his first contest since approx 1977. His photos also show the amount of time & planning in his setup. Well done also to Brian.

Thanks to everyone who participated and submitted their log. It was great to have so many stations active on the higher bands.

Look forward to working you in the next scramble. 73's Rob...VK6LD

Editors Note looking at the efforts of Brian VK6VOX & Brian VK6TGQ the country participants should be rewarded with a Country Scramble! Where the scoring could be along the lines of maximum points for country contacts beyond 100Km from Perth with added points for every 50Km beyond this point. Hopefully the concentration on contacts with the country AR fraternity would be enhanced.

What can you contribute to the advancement of the club?

The group is looking for members who could play an active and supportive role in assisting in the development of the future interests of the WA VHF Group club.

Your Club needs you

**TO: THE TREASURER
THE WEST AUSTRALIAN VHF GROUP INCORPORATED
PO BOX 189 APPLECROSS 6953**



I VK6 _____ NAME _____

ADDRESS _____

Are you a WIA member Y/N POSTCODE _____

Email address. _____

ENCLOSE my ANNUAL SUBSCRIPTION \$ _____ +DONATION \$ _____

2011/2012 Subscription = \$25 per Annum. Country = \$22

Change of TREASURER

Due to health reasons Fritz VK6UZ has had to resign from the post of Club Treasurer. Fritz presence will be sadly missed not only for his successful efforts in modernising the clubs financial structure, but also the scope and depth of his technical expertise including his forthright comments for the benefit of members. **Thank you Fritz for a job well done.**

The post of treasurer will be taken over by Graeme VK6LV. Many thanks Graeme for taking over at such short notice.

STOP PRESS!!!!!!!

The Club has access to a number (a lot) of satellite dishes of two sizes, 0.96m & 1.2m and come with all mounting hardware fittings, but NO electronics (LNB) or mounting pole. Please note these dishes can be modified for terrestrial operation.

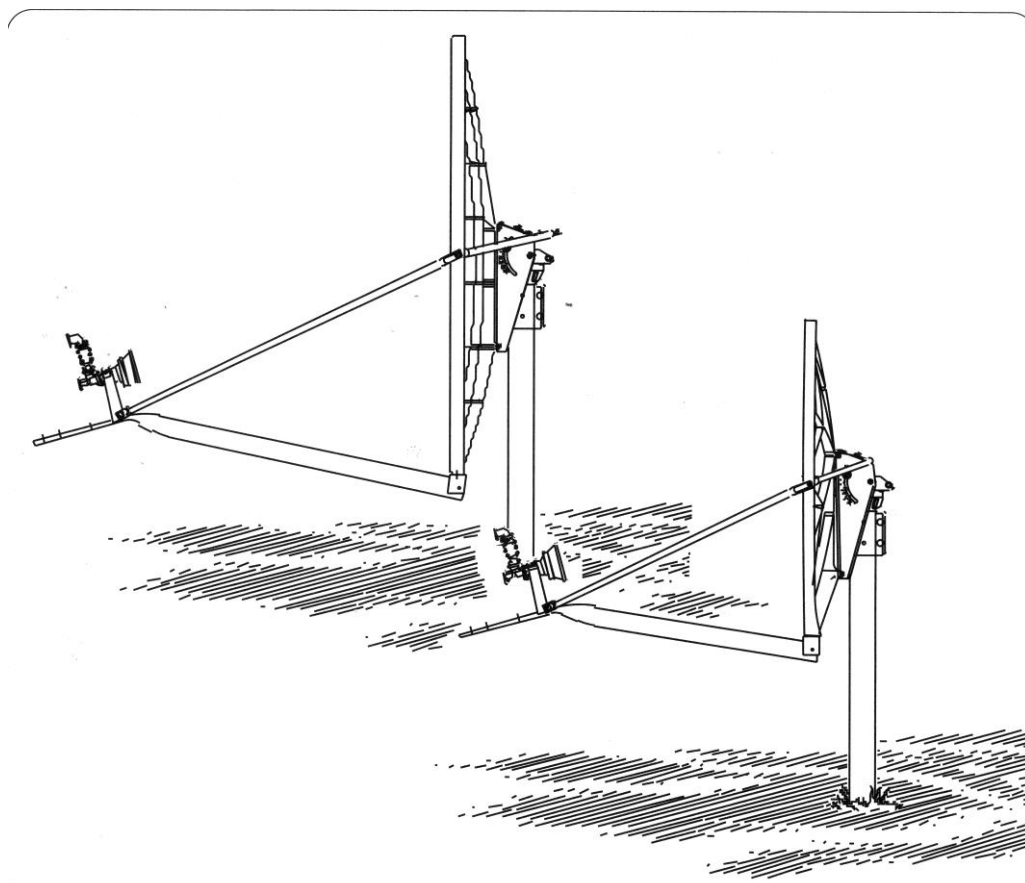
Assembly Instructions

8000842-01

Type 960 Class I & II .96m Antenna System

Type 123 Class I & II 1.2m LFL Antenna System

Factory Assembled AZ/EL Cap Mount



These dishes will available (as new still in boxes unassembled) for a very nominal cost with a view to encouraging members to experiment with uhf-microwave areas. **Are you interested? Please contact the secretary@wavhfgroup.org.au**