

Official Bulletin



MHz to GHz

The West Australian VHF Group Bulletin

NOVEMBER 2012

THE WEST AUSTRALIAN VHF GROUP (INC)
PO BOX 189 APPLECROSS 6953

Email for editor to: President@wavhfgroup.org.au

President Terry VK6ZLT

Secretary. David VK6AI

Vice- President Ray VK6ZRW

Treasurer Graeme VK6LV

Activities Terry VK6ZLT

Publicity Terry VK6ZLT

Museum Rep. Tom VK6ZAF

Bulletin Editor Terry VK6ZLT

Councillor Steve VK6ST

Councillor Arthur VK6CY

Councillor Phil VK6ZKO

Councillor Heath VK6TWO

Councillor Graeme McDonald

Trustee # 1 Wally VK6KZ

Contents

1. Editors Input
2. Wireless Hill Centennial Celebration
3. Across the Presidents desk
4. Web Sites to check out
USB dongle SDR software, NE602 converter, EME-EMR,
5. 23cm out look---23cm transverter, mini wattmeter to 2.5GHz
6. Historical corner ---LEDs & 555 timer.
7. **IMPORTANT VIDEO TO VIEW**

EDITORS INPUT Well, a few changes have come about since the last magazine in August. For instance the Wireless Hill Centennial celebration occurred on the 30th September 2012. Then, at the October AGM Terry VK6ZLT was elected to the position of President when no volunteers came forward to fill the vacant position of President. Subsequently David VK6AI accepted the position of secretary. The support committee is listed on this magazines face sheet. Whilst talking about the magazine face sheet the name & call sign of Terry VK6ZLT appears too many times in other capacities.

So come on everyone how about a few of you lightening the load a bit!!!!

Wireless Hill Centennial Celebration.

The Wireless hill centenary started on the 29th of September 2012 for 2 weeks until the 14th October over the school holiday period. The 30th September was the official 100 year date since the first radio communication was transmitted from the Wireless Hill in 1912. The day turned out to be superb for everybody concerned, the invited guests, and the general public along the participating radio amateurs. The special call sign of VI6VIP had been allocated to the WAVHF group for the duration of the celebration period. Over 1000 contacts were made around the world. A large proportion of these contacts were mainly due to the efforts of Ray VK6ZRW, Bob VK6KW and Heath VK6TWO ably assisted by Monique VK6FMON and various amateurs who happened to be there at the time. All operations were out of the Eric Smith room attached to the Wireless Hill Radio Museum. Many thanks also go to Monique VK6FMON for her efforts in the audio & printed areas on behalf of the WA VHF Group with the WIA and local Sunday broadcasts

Across the Presidents Desk.

With the assistance of club members I propose that the efforts of the club should be increasing the activity on the 23cm (1296 MHz) band. For starters some method of simple construction of a converter module and aerial to enable cross-band operational experience for the new operators and to stimulate the transmission by the members who already have 23cm gear. Research is continuing along these lines. Much promise is in the offing in using a USB Digital TV Dongle costing (\$25) that with the appropriate software can be turned into a SDR receiver that can cover the 23cm band. This could be a very cheap way of obtaining a suitable receiver.

Web sites to check out.

Software for USB TV Dongle

<http://nt1k.com/blog/2012/rtl-sdr-cheap-fun/>

SDR digital tv converter-1

<http://superkuh.com/rtlsdr.html>

SDR digital TV converter-2

<http://sdr.osmocom.org/trac/wiki/rtl-sdr>

SDR digital TV converter-3

www.m9t.co.uk/

SDR digital TV converter-4

Interesting sites to visit

VK4TEC <http://www.tech-software.net/>

NE602 converter http://www.qsl.net/sv1bsx/2m_converter/2m_conv.html

EMR - EME worksite <http://www.vk3um.com/>

23 cm out look

Interesting site VK4adc <http://www.vk4adc.com/web/index.php>

<http://www.vk4adc.com/web/index.php/vhfuhf-projects/24-v-u-transverters/55-23cm-tvtr>

mini wattmeter good to 2.5GHz

<http://www.dl5neg.de/diodesensor/diodesensor.html>

Historical Corner

History of the LED.

We all know that LED stands for Light Emitting Diode, but some may not know that the invention of the LED goes back to the discovery of electroluminescence back in 1907 when British experimenter H. J. Round of the Marconi Labs used a crystal of silicon carbide plus a cat's whisker. (A [cat's whisker detector](#) is an antique electronic component consisting of a thin wire that lightly touches a crystal of semiconducting mineral to make a crude contact-junction rectifier.)

True LED lighting would have to wait until the early 60s when Texas Instruments, General Electric, & RCA Laboratories all played a role in developing the technology. Miniature crystals (gallium arsenide) would emit infrared radiation when electric current was applied and that became the first (infrared) LED. The first visible spectrum Led's were coloured red and today we enjoy a full palette of

colours.

A Walk through LED Lighting History

1907 - Light Emitting Solid

1955 - Infrared LED

1962 - Red LED

1971 - Blue LED

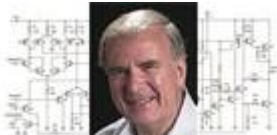
1972 - Yellow LED

1972 - Amber LED

1995 - White LED

Late 90's - UV LED

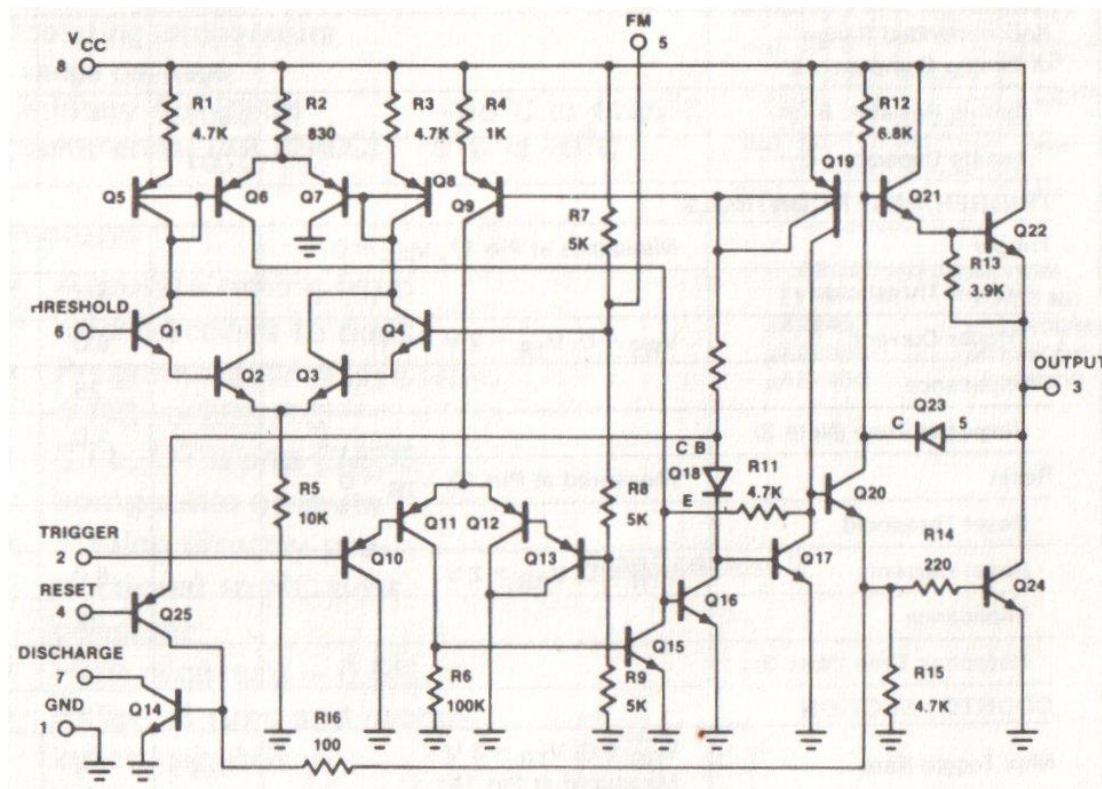
Hans Camenzind, Father of the NE555, Dies at the Age of 78



Last month one of the unsung heroes of electronics has passed away. Hans Camenzind, father of one of the most famous integrated circuit of all times, the Signetics timer

NE555, timed out at the age of 78. Being a gifted analog designer, Swiss-born Monsieur Camenzind is also credited to be the father of class-D amplifiers and he has introduced the concept of the Phase-Locked Loop (PLL) in ICs. During his rather productive career he designed over 140 ICs, wrote several books and many articles and his name is attached to some twenty patents.

When a famous artists dies you will hear his or her greatest hits on every radio or see his or her best films on every TV channel. Therefore, as a tribute to one of the



great electronics inventors of our century we will play here Hans Camenzind's most successful composition: NE555 in bipolar.

G'Day All,
Frightening news about new credit/debit card radio frequency technology
and fraud.

Regards,

Victor VK4WST

Very Important Video

Wi-Fi Symbol on your Credit Card

**YOU WONT BELIEVE THIS IS HAPPENING. WATCH VIDEO AND CHECK
YOUR CARDS.**

Check your newer credit cards for the Wi-Fi Symbol on it. You need to watch
the video below to really know why I sent this to you.

RFID Credit Cards

Thought all my contacts ought to see this if you've not already seen this
demo....wow!

Control button & Click on site below

<http://youtube.googleapis.com/v/ILAFhTjsQHw%26sns=em>

The group is looking for members who could play an active
and supportive role in assisting in the development of the
future interests of the WA VHF Group club.

Your Club needs you

**TO: THE TREASURER
THE WEST AUSTRALIAN VHF GROUP INCORPORATED
PO BOX 189 APPLECROSS 6953**



I VK6 _____ NAME _____

ADDRESS _____

Are you a WIA member Y/N POSTCODE _____

Email address. _____

ENCLOSE my ANNUAL SUBSCRIPTION \$ _____ +DONATION \$ _____

2011/2012 Subscription = \$25 per Annum. Country = \$22